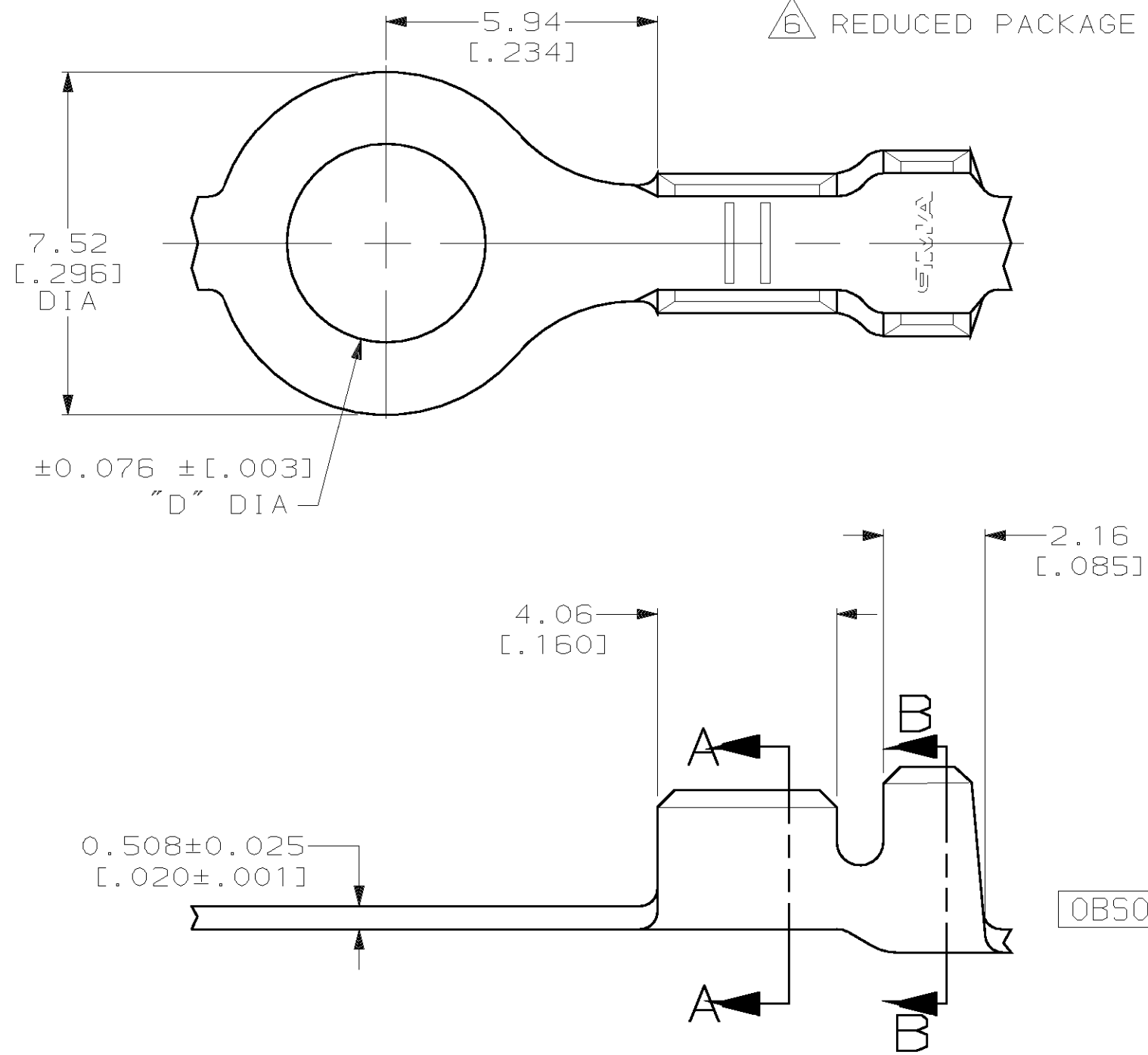


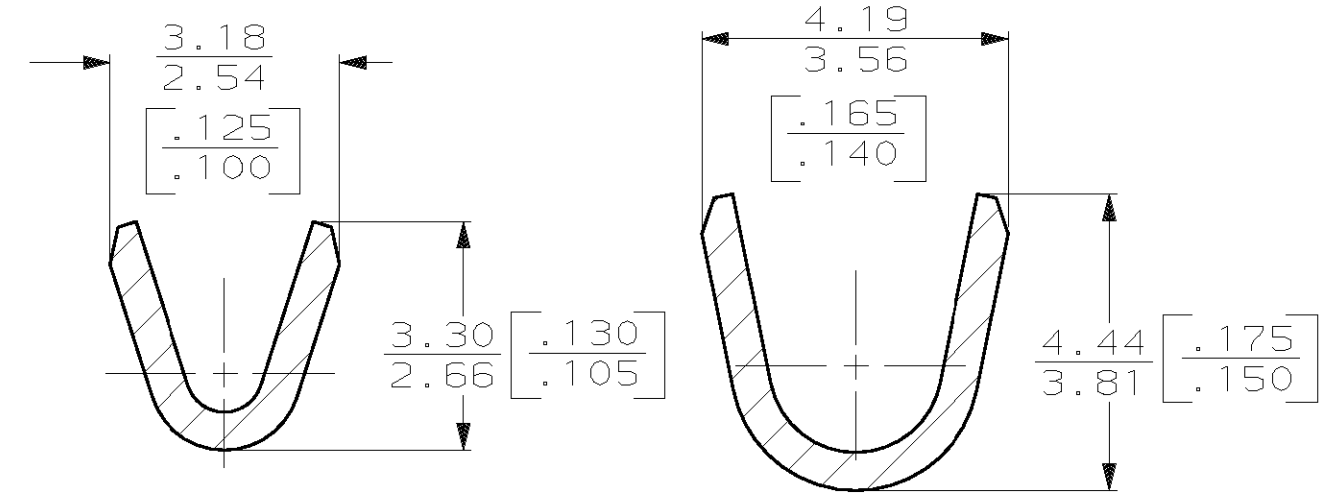
THIS DRAWING IS UNPUBLISHED. RELEASED FOR PUBLICATION, 19 .
 © COPYRIGHT 19 BY AMP INCORPORATED. ALL INTERNATIONAL RIGHTS RESERVED.

LOC	DIST	P	F	REVISIONS			DATE	APPD
AF	50			ZONE	LTR	DESCRIPTION		
					K	ADDED -9 PER 0G3A-0372-01	26JUN01	MF-DD

△6 REDUCED PACKAGE QUANTITY.



- 1 CONTINUOUS STRIP ON REEL.
- 2 WIRE SIZE IS [#22-#18] AWG.
- 3 INSULATION RANGE IS 2.03-2.79 [.080-.110] DIA.
- △4 FOR FOREIGN PRODUCTION ONLY REELED WITH PAPER INTERLEAVE
- △5 PRELIMINARY - NOT FOR PRODUCTION



△6	0.002032 [.000080] MIN TIN	M 3.5 - [#6]	3.68 [.145]	△5	42037-9
	0.002540 [.000100] MIN TIN	[#10]	5.00 [.197]	△5	42037-8
△4	0.002032 [.000080] MIN TIN	M 4 - [#8]	4.34 [.171]		42037-7
△4	0.002032 [.000080] MIN TIN	[#10]	5.00 [.197]		42037-6
	0.002032 [.000080] MIN TIN	[#10]	5.00 [.197]		42037-2
	0.002032 [.000080] MIN TIN	M 4 - [#8]	4.34 [.171]		42037-1
	0.002032 [.000080] MIN TIN	M 3.5 - [#6]	3.68 [.145]		42037

OBSOLETE

DO NOT SCALE PRINT. UNLESS SPECIFIED DIMENSIONS IN mm [INCHES] TOLERANCES ON: 2 PLC DEC ± 0.25 [.010] 3 PLC DEC ± - ANGLES ± -		DR 01AUG00 JR RUTH	AMP AMP Incorporated Harrisburg, PA 17105-3608
MATERIAL 082 BRASS		CHK 01AUG00 MS FEHER	
FINISH SEE TABLE		APPD 01AUG00 D DECKER	NAME RING
		APPD 01AUG00 D DECKER	SIZE B CAGE CODE 00779 DRAWING NO C-42037
		PRODUCT SPEC -	SCALE 8:1 SHEET 1 OF 1
		APPLICATION SPEC -	
		WEIGHT -	

THIS DRAWING IS A CONTROLLED DOCUMENT FOR AMP INCORPORATED. IT IS SUBJECT TO CHANGE AND THE CONTROLLING ENGINEERING ORGANIZATION SHOULD BE CONTACTED FOR THE LATEST REVISION.